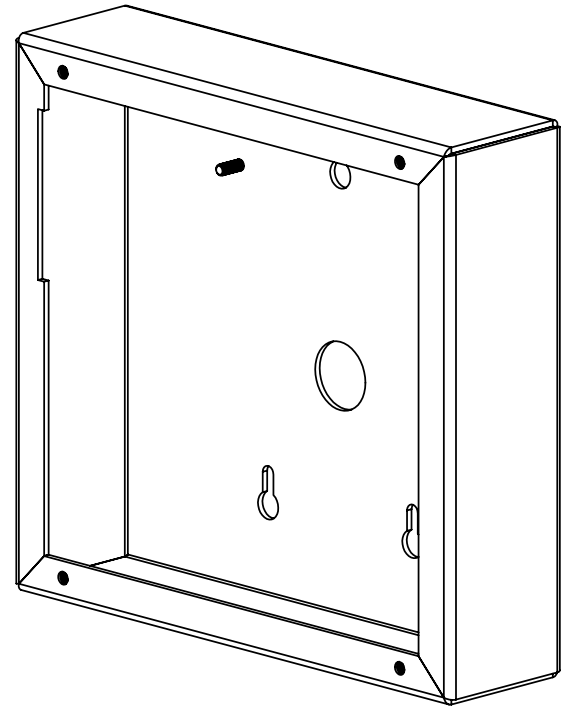
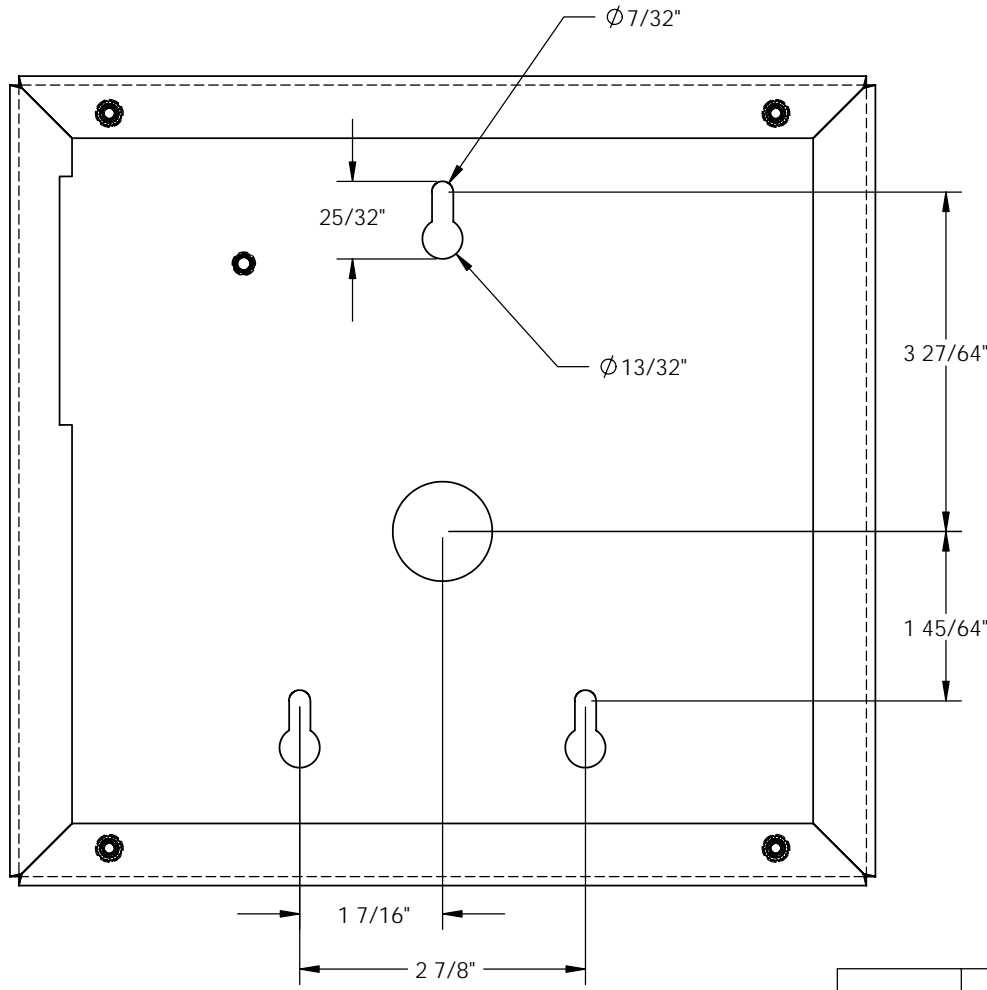


8 7 6 5 4 3 2 1

REVISIONS				
ZONE	REV.	DESCRIPTION	DATE	APPROVED



D
C
B
A

D
C
B
A

GENERAL NOTES:
1. N/A

PROPRIETARY AND CONFIDENTIAL
THE INFORMATION CONTAINED IN THIS DRAWING
IS THE SOLE PROPERTY OF GLOBAL ELECTRONICS.
ANY REPRODUCTION IN PART OR AS A WHOLE
WITHOUT THE WRITTEN PERMISSION OF
GLOBAL ELECTRONICS IS PROHIBITED.

UNLESS OTHERWISE SPECIFIED:		NAME	DATE	GLOBAL ELECTRONICS, LTD. 3664 E. CHIPMAN ROAD PHOENIX, AZ 85040 602-437-8005	
DIMENSIONS ARE IN INCHES		DRAWN	J. YESENSKI		
TOLERANCES:		CHECKED			TITLE: ENCLOSURE, LOWER GATE ACCESS
FRACTIONAL $\pm 1/64$		ENG APPR.			
ANG.: MACH $\pm 5^\circ$ BEND $\pm 1^\circ$		MFG APPR.			SIZE B
ONE PLACE DECIMAL $\pm .05$		O.A.			
TWO PLACE DECIMAL $\pm .02$		COMMENTS:			DWG. NO. GEI101904-2
THREE PLACE DECIMAL $\pm .010$					REV -
INTERPRET GEOMETRIC TOLERANCING PER: ASME Y14.5M					SCALE: 1:1.25
MATERIAL: ALUM.					WEIGHT:
FINISH: POWDERCOAT CARDINAL T028-GR02 STEEL GRAY 80% GLOSS					SHEET 1 OF 1
NEXT ASSY	USED ON				
APPLICATION					

8 7 6 5 4 3 2 1